

Ask About our **FREE**
Try & Buy Program

webLinkM Series

Industrial Flat Screen Monitors

FEATURES

Standard

15", 17", 19" & 21" TFT Displays
Analog Resistive Touchscreen
NEMA 4 Powder Coat Aluminum/Steel Bezel
Panel Mount Design

Optional

Scratch Resistant Lens
USB or Serial Touchscreen Interface
NEMA 4X Stainless Steel Bezel



Industrial Monitor Series

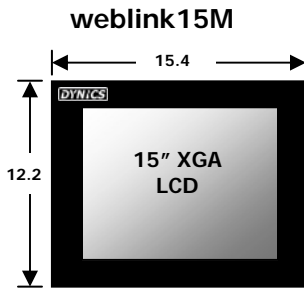
Specifications

	webLink15M	webLink17M	webLink19M	webLink21M
Display Size	15" Diagonal	17" Diagonal	19" Diagonal	21" Diagonal
Panel Resolution	TFT XGA 1024 x 768	TFT SXGA 1280 x 1024	TFT SXGA 1280 x 1024	TFT UXGA 1600 x 1200
Viewing Angle	65° Right, 65° Left 50° Up, 60° Down	75° Right, 75° Left 65° Up, 60° Down	88° Right, 88° Left 88° Up, 88° Down	85° Right, 85° Left 85° Up, 85° Down
Contrast Ratio	300:1	300:1	500:1	500:1
Bulb Life	CCFT @ 50,000 Hours	CCFT @ 50,000 Hours	CCFT @ 40,000 Hours	CCFT @ 50,000 Hours
Brightness	250 nits	250 nits	250 nits	250 nits
Lens	5 Wire Resistive Touch OR Anti-glare Lexan	5 Wire Resistive Touch OR Anti-glare Lexan	5 Wire Resistive Touch OR Anti-glare Lexan	5 Wire Resistive Touch OR Anti-glare Lexan
Power Supply	External Brick 12VDC 100-240VAC, 47-63Hz	External Brick 12VDC 100-240VAC, 47-63Hz	Internal Power Supply 100-240VAC, 50-60Hz	Internal Power Supply 100-240VAC, 50-60Hz
Temperature	0°-50°C (32°- 122°) op -25°-60°C (-4°-140°) non-op	0°-50°C (32°- 122°) op -25°-60°C (-4°-140°) non-op	0°-50°C (32°- 122°) op -25°-60°C (-4°-140°) non-op	0°-50°C (32°- 122°) op -25°-60°C (-4°-140°) non-op
Relative Humidity	10 ~ 95% non-condensing	10 ~ 95% non-condensing	10 ~ 95% non-condensing	10 ~ 95% non-condensing
Shock	10G operating 15G non-operating	10G operating 15G non-operating	10G operating 15G non-operating	10G operating 15G non-operating
Vibration	1G from 57-2000 Hz op 2.5G from 57-2000 Hz non-op	1G from 57-2000 Hz op 2.5G from 57-2000 Hz non-op	1G from 57-2000 Hz op 2.5G from 57-2000 Hz non-op	1G from 57-2000 Hz op 2.5G from 57-2000 Hz non-op

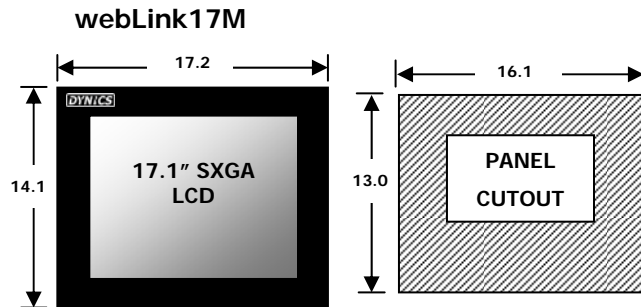
Call MIDCOM Today...
(800) 643-2664

Call for a
Price Quote

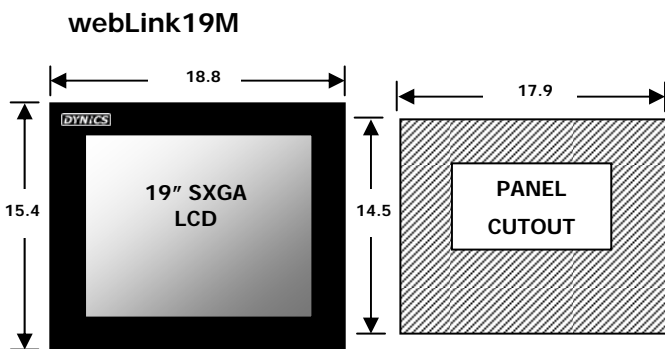
Mounting Dimensions



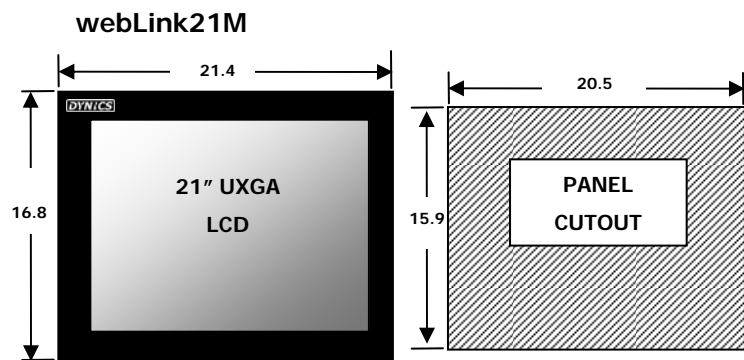
MOUNTING DEPTH: 3.25



MOUNTING DEPTH: 3.25



MOUNTING DEPTH: 4.25

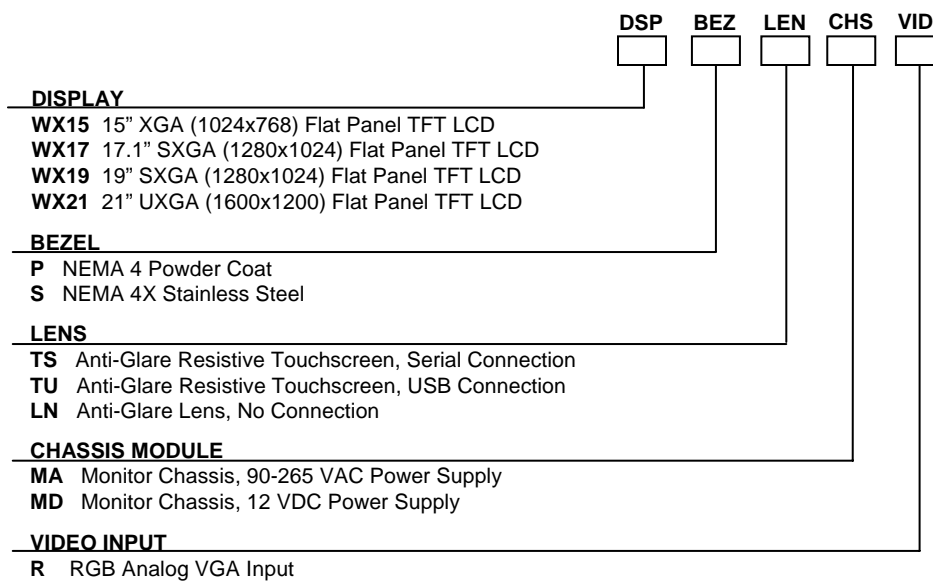


MOUNTING DEPTH: 4.25

*Images Not To Scale
Listed Dimensions in Inches*

Industrial Monitor Series

System Configurator



Call to Request a Quote
(800) 643-2664

Specifications subject to change without notice