

N Series
Industrial Monitors Series

**Ask About our FREE
Try & Buy Program**

N FEATURES

Standard

- 15", 17", & 19" TFT Displays
- High Luminance Displays
- Full NEMA 12 enclosure
- Industrial Power Supply
- Rugged Modular Steel Construction
- Direct CRT Replacement
- Panel Mountable
- Right Click Mouse Feature
- Resistant to Electromagnetic Emissions
- Standard (RGB) 15 pin output

Optional

- Stainless Steel Bezel
- 24 Vdc
- VESA, Pedestal, Wall, or Desktop Mount

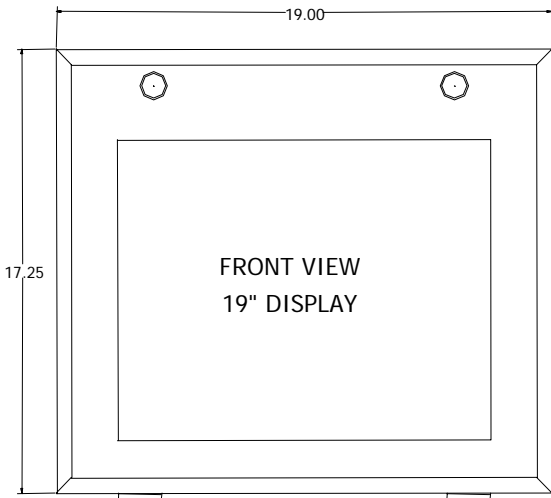
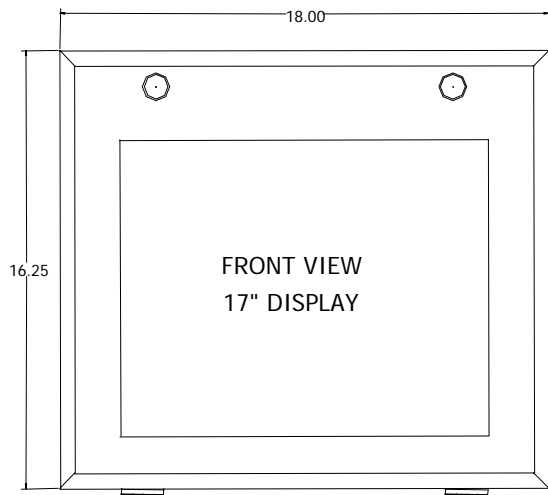
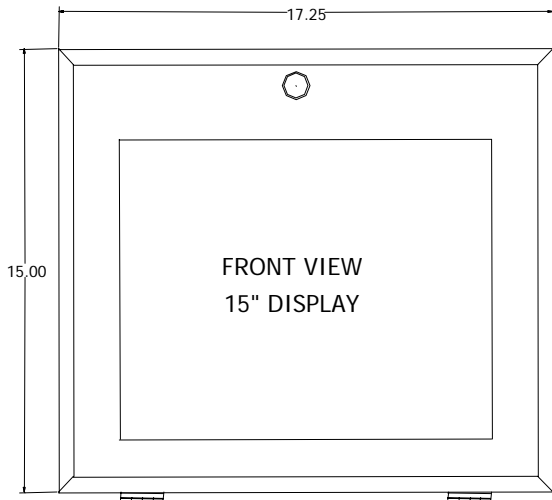


Industrial Monitors Series

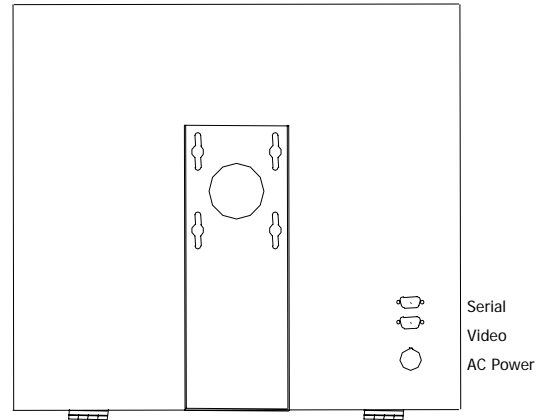
Specifications

Model	15" N	17" N	19" N
Display Size	15" Diagonal	17" Diagonal	19" Diagonal
Panel Resolution	TFT XGA 1024 x 768	TFT SXGA 1280 x 1024	TFT UXGA 1600 x 1200
Viewing Angle	X-Axis -65°/65° Y-Axis -55°/45°	X-Axis -70°/70° Y-Axis -60°/80°	X-Axis -88°/88° Y-Axis -88°/88°
Contrast Ratio	400:1	400:1	600:1
Bulb Life	CCFT @ 40,000 Hours	CCFT @ 50,000 Hours	CCFT @ 40,000 Hours
Brightness	250 nits	250 nits	250 nits
Lens	5 Wire Resistive Touch OR Anti-glare Lexan	5 Wire Resistive Touch OR Anti-glare Lexan	5 Wire Resistive Touch OR Anti-glare Lexan
Power Supply	External Brick 12VDC 100-240VAC, 47~63Hz	Internal Power Supply 100-240VAC, 50~60Hz	Internal Power Supply 100-240VAC, 50~60Hz
Temperature	0°-50°C (32°- 122°) op -25°-60°C (-4°-140°) non-op	0°-50°C (32°- 122°) op -25°-60°C (-4°-140°) non-op	0°-50°C (32°- 122°) op -25°-60°C (-4°-140°) non-op
Relative Humidity	10 ~ 95% non-condensing	10 ~ 95% non-condensing	10 ~ 95% non-condensing
Shock	10G operating 15G non-operating	10G operating 15G non-operating	10G operating 15G non-operating
Vibration	1G from 57-2000 Hz op 2.5G from 57-2000 Hz non	1G from 57-2000 Hz op 2.5G from 57-2000 Hz non	1G from 57-2000 Hz op 2.5G from 57-2000 Hz non

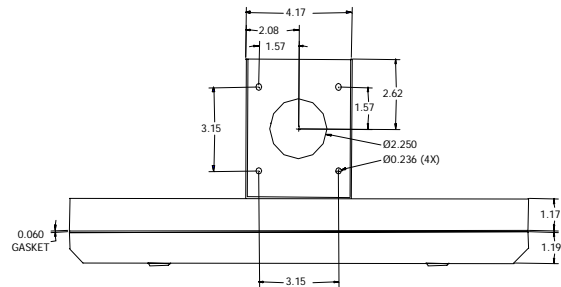
**Call to Request a Quote
(800) 643-2664**



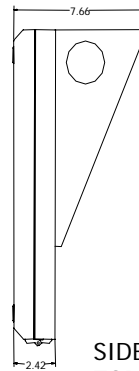
Call (800) 643-2664 or
Email us at: info@MidcomData.com



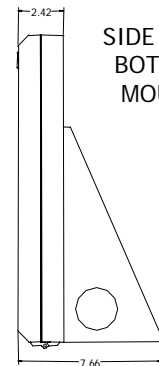
BACK VIEW



BOTTOM VIEW



SIDE VIEW
TOP MOUNT



SIDE VIEW
BOTTOM
MOUNT